

# Yealink



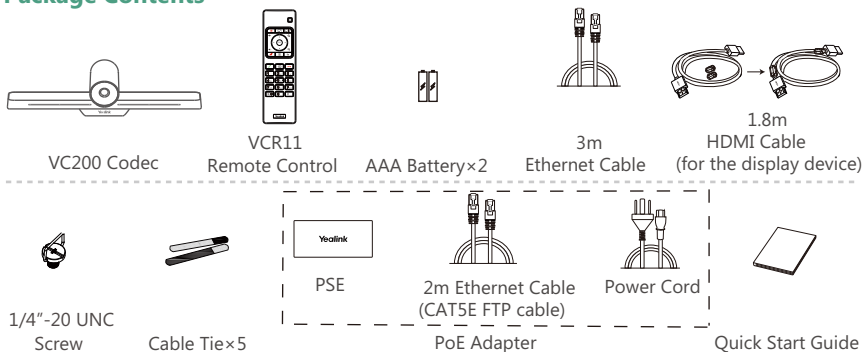
Yealink Network Technology CO., LTD

## Yealink VC200 Video Conferencing Endpoint Quick Start Guide

V32.3

Applies to firmware version 80.32.0.3 or later

## Package Contents



- 💡 We recommend that you use the accessories provided or approved by Yealink. The use of unapproved third-party accessories may result in reduced performance.
- 💡 Use the Yealink original PoE adapter (54V/0.56A) to charge the endpoint only. The use of the third-party PoE adapter may cause the damage to the endpoint.
- 💡 Before using the HDMI cable, put the magnet rings on it to prevent electromagnetic interference.

## Endpoint Installation

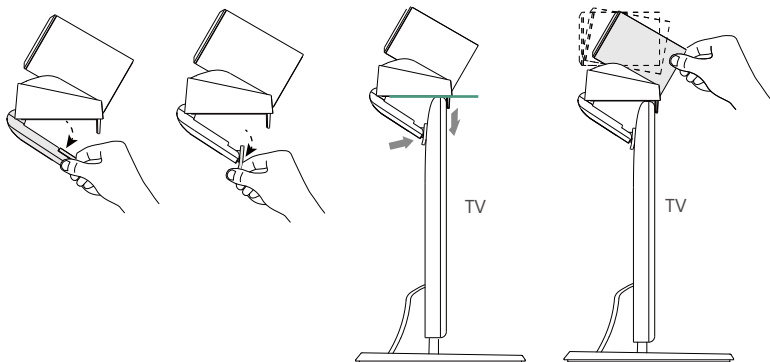
Select one of the following installation method:

### ● Put on a Flat Surface

You can put the endpoint on a conference room table.

### ● Mount on top of a TV

You can mount endpoint on top of the TV when the thickness of the TV is between 1mm and 36mm.

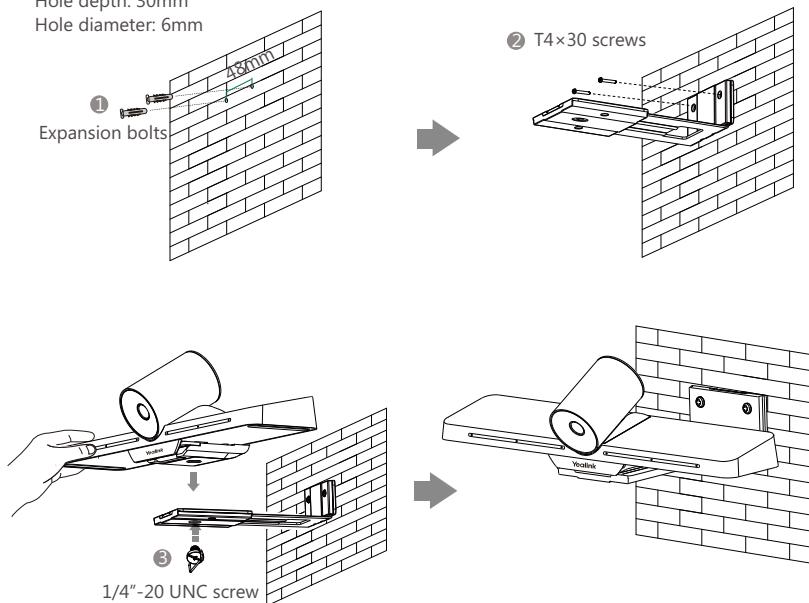


- 💡 The base of the camera must be parallel to the top of TV.
- 💡 You can adjust the angle of the camera manually. The angle can be up to 30 degree.
- 💡 Choose other installation method if your TV is more than 36 mm.

## ● Mount on a Wall

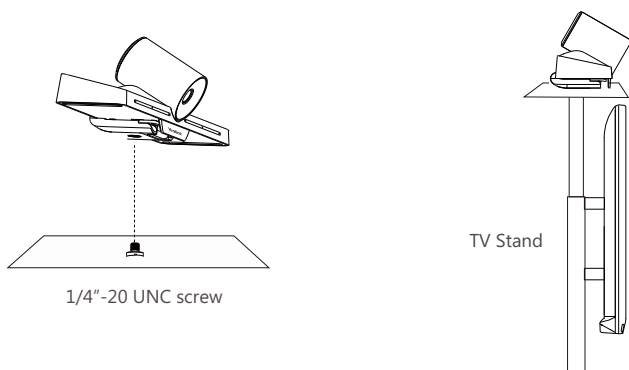
You can purchase a bracket to mount your endpoint on a wall. The recommended height is 1.6m above the ground.

Hole depth: 30mm  
Hole diameter: 6mm

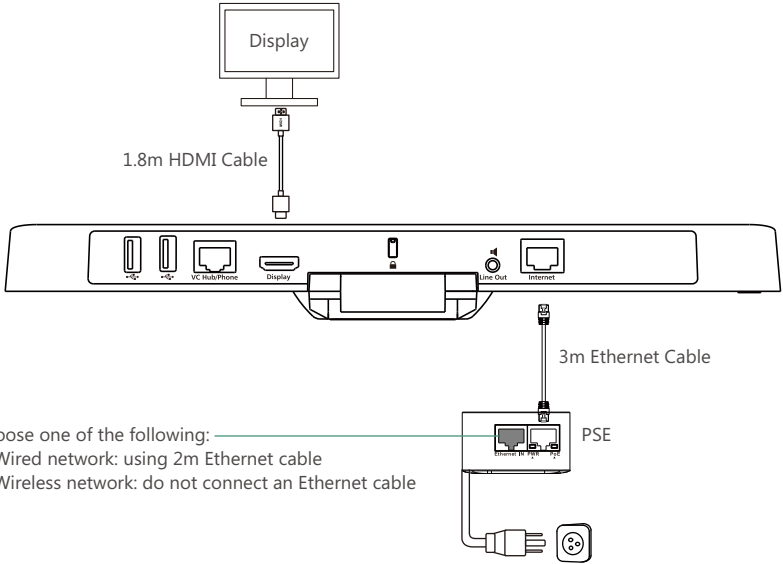


## ● Mount onto a TV Stand or a Tripod

You need to purchase a TV stand or a tripod separately. The TV stand or a tripod should be able to bear a weight of at least 5kg.



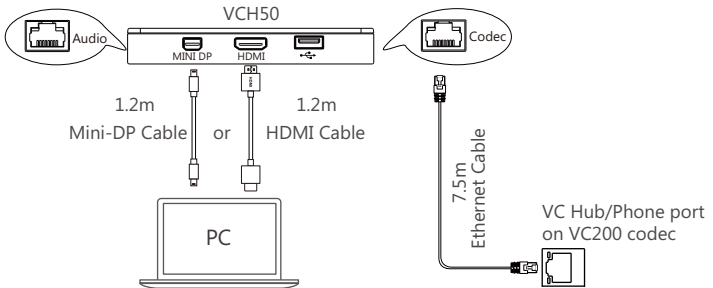
## Endpoint Connections



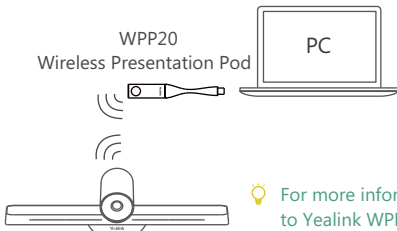
## Sharing Content

You can choose wired sharing or wireless sharing method to share PC content. You need to purchase the desired accessories.

### Wired Sharing



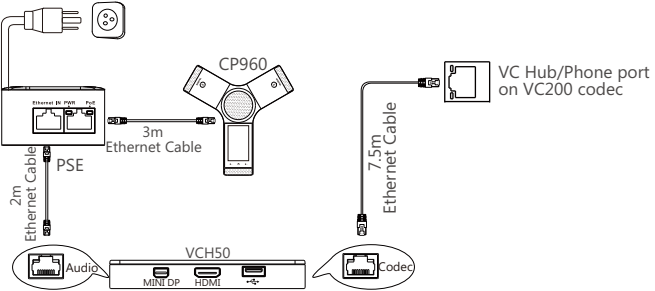
### Wireless Sharing



💡 For more information on WPP20 wireless presentation pod, refer to Yealink WPP20 Wireless Presentation Pod Quick Start Guide.

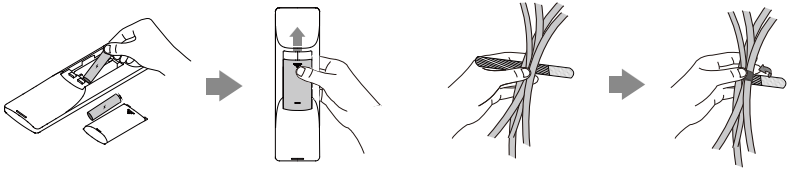
## CP960 Conference Phone Connections

You can purchase CP960 conference phone separately, it can act as the audio input or output device.



💡 If you do not need the VCH50 video conferencing hub to share content, You can connect PSE of CP960 conference phone to the VC Hub/Phone port directly.

## Remote Control and Cable Ties Installation



## Network Environment

### Bandwidth Requirements

Video Resolution	Recommended Bandwidth
Full HD 1080P	1.3Mb
People 1080P+Content 1080P	2.6Mb

- 💡 Both downlink bandwidth and uplink bandwidth should meet above requirements.
- 💡 The bandwidth mentioned above is based on a two-way call. Bandwidth in head office should be increased along with the growing number of connected branch offices.

## Network Deployment

Choose Cloud deployment or traditional deployment according to your need.

### ● Cloud Deployment

Cloud deployment does not need complex network settings. you only need to get account information from your system administrator, and log into the video conference platform.

**Do the following to log into the video conference platform via remote control:**

1. Select **More->Setting->Advanced** (Default Admin Password:0000)->**Video Conference Platform**.
2. In the **Cloud Account** field, check the **Enabled** checkbox.

3. Select the desired platform from the pull-down list of **Platform Type**.
4. Configure the desired platform and log in.

### ● Traditional Deployment

If you deploy endpoint in the head office, make sure it is reachable from public network.

If you deploy endpoint in the branch office, use intelligent traversal to deploy it or just follow the same steps as for the head office.

#### Head Office

If you deploy endpoint in the head office, at least one static public IP address is required to allow branch offices to connect.

Do one of the following to deploy endpoint:

**Option1:** Assign a static public IP address to your endpoint.

**Option2:** If you deploy endpoint in an Intranet (behind the firewall), assign a static private IP address to it and do port mapping on the firewall.

#### Configure a Static IP

The following introduces how to use the remote control to configure a static IPv4 address:

1. Select **More->Network->Wired Network** (Default Admin Password:0000).
2. Select **IPv4** from the pull-down list of **IP Mode**.
3. Select **IPv4**, and then press OK key.
4. Uncheck the **DHCP** checkbox.
5. Enter the IP address, subnet mask, gateway and DNS information in corresponding fields.
6. Save the change.

The screen prompts "Reboot now?".

7. Select OK to reboot the endpoint.

#### Configure Port Mapping

If you deploy endpoint in an Intranet, you must forward the following ports to the public network on the firewall, so that your endpoint can receive a public-to-private call.

Function	Port	Protocol Type
H.323 signal port	1719-1720	UDP/TCP
Audio & Video media stream port	50000-51000	TCP/UDP
Web management port ( optional )	443	TCP
SIP ( optional )	5060-5061	TCP/UDP

#### Branch Office

If you deploy endpoint in the branch office, do one of the following to deploy it:

**Option1:** Deploy the endpoint following the same steps as for the head office. In this way, both inbound and outbound calls are available.

**Option2:** Deploy the endpoint using intelligent traversal. You only need to assign a private IP address to your endpoint. Make sure this private IP address can access the public network. Only outbound calls are available when using this method.

💡 When you use intelligent traversal to deploy your endpoint, you have to open following ports on your firewall if they are restricted.

Function	Port	Protocol Type
H.323 signal port	1719-1720	UDP/TCP
Audio & Video media stream port	50000-51000	TCP/UDP
SIP ( optional )	5060-5061	TCP/UDP

💡 It is recommended that you forward the web management port(443/TCP) to the public network, so that the head office can remotely manage the branch office.

## Troubleshooting

### ● Connectivity Testing

After installation and deployment, you can test the endpoint by dialing the Yealink Demo Room (117.28.251.50 or 117.28.234.45 ). If you can't dial out successfully, please contact your IT administrator to check the network.

### ● Configuring Static NAT

If you do not use Cloud platform and deploy your endpoint in an Intranet, you have configured port mapping on the firewall or gateway, but you find that local endpoint appears black screen and you cannot hear sound when you call Yealink Demo or other endpoints. The most likely reason is that the firewall or gateway in your environment does not support the ALG feature. In this situation, please take the following actions so that the static NAT feature on the endpoint can solve this problem.

**To configure static NAT via the remote control:**

1. Select **More**->**Network**->**Wired Network** (Default Admin Password:0000)->**NAT/Firewall**.
2. Select **Auto** from the pull-down list of **Type**, the endpoint will obtain public IP address automatically.
3. If the endpoint does not obtain a public IP address automatically, select **Manual Settings** from the pull-down list of **Type**, and then enter the public IP address in the **Public IP Address** field.
4. Save the change.

## About Yealink

Yealink (Stock Code: 300628) is a global leading unified communication (UC) terminal solution provider that primarily offers video conferencing systems and voice communication solutions. Founded in 2001, Yealink leverages its independent research and development and innovation to pursue its core mission: "Easy collaboration, high productivity." The company's high-quality UC terminal solutions enhance the work efficiency and competitive advantages of its customers in over 100 countries. Yealink is the world's second-largest SIP phone provider and is number one in the China market.

## Technical Support

Visit Yealink WIKI (<http://support.yealink.com/>) for the latest firmware, guides, FAQ, Product documents, and more. For better service, we sincerely recommend you to use Yealink Ticketing system (<https://ticket.yealink.com>) to submit all your technical issues.



VC200-EN

